

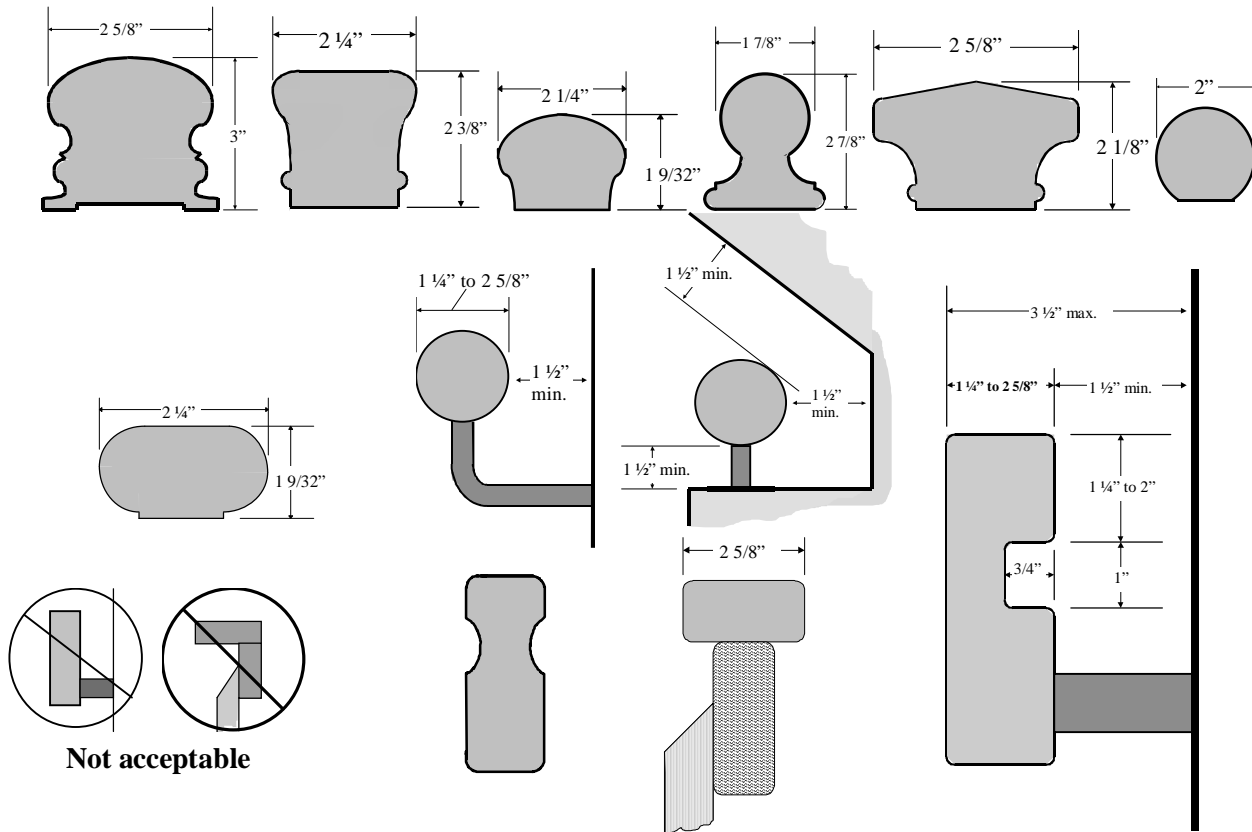
Dwelling Handrails

315.1 Handrails. Handrails having minimum and maximum heights of 30 inches and 38 inches respectively, measured vertically from the nosing of the treads, shall be provided on at least one side of stairways of more than three risers. Spiral stairways shall have the required handrail located on the outside radius. All required handrails shall be continuous the full length of the stairs. **Ends shall be returned or shall terminate in newel posts or safety terminals.** Handrails adjacent to a wall shall have a space of not less than 1 1/2 inches between the wall and the handrail.

Exceptions:

1. Handrails shall be permitted to be interrupted by a newel post at a turn.
2. The use of a volute, turnout or starting easing shall be allowed over the lowest tread.

315.2 Handrail grip size. The hand grip portion of the handrails shall not be less than 1 1/4 inches or more than 2 5/8 inches in cross-sectional dimension, or the shape shall provide an equivalent gripping surface. The handgrip portion of handrails shall have a smooth surface and edges shall have a minimum radius of 1/8 inch.



Other shapes may be acceptable if they provide an equivalent gripping surface. Do not use these shapes to make your hand rails and expect that the hand rail will automatically pass inspection, check with Building Inspector to see if the shape you want to make will work.